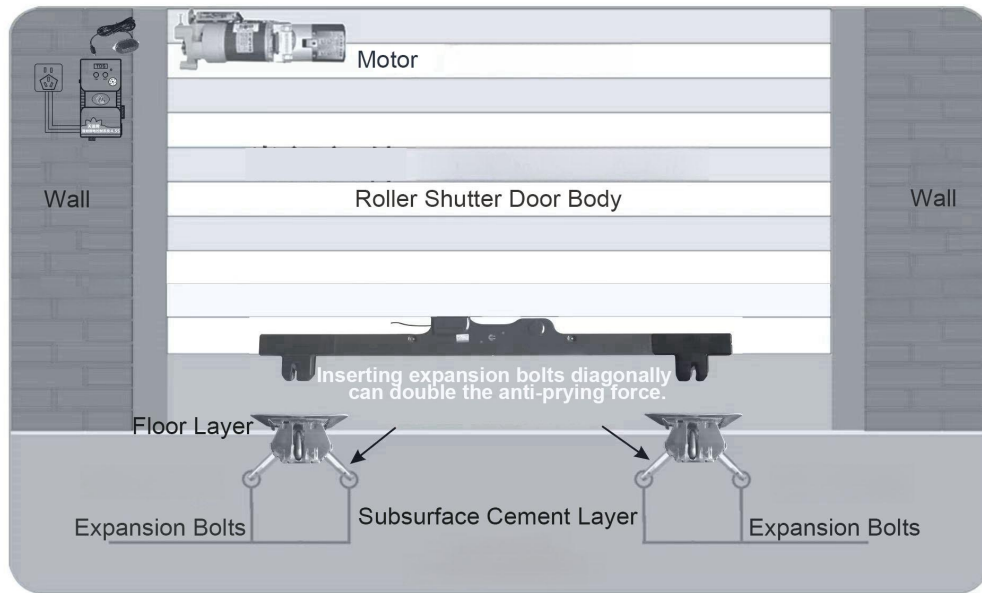


INSTRUCTION MANUAL FOR ROLLER SHUTTER DOOR ANTI-THEFT FLOOR LOCK

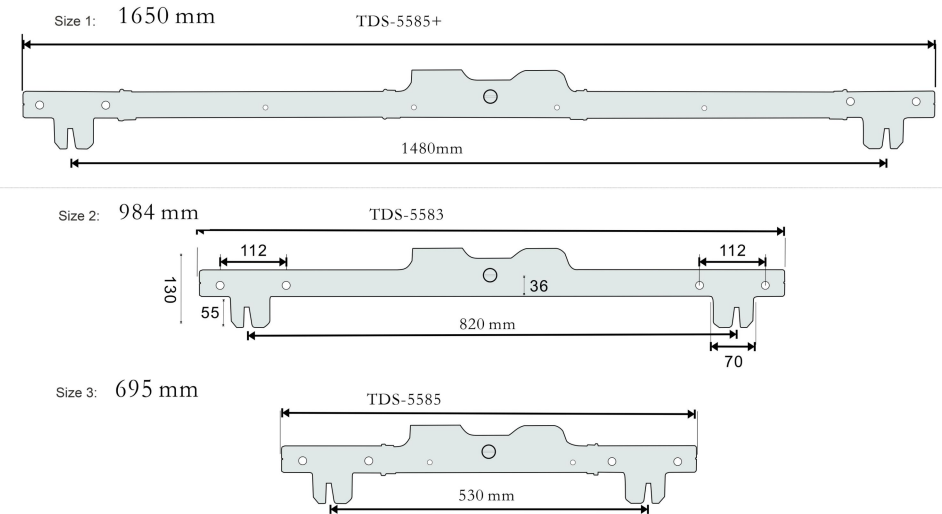
Installation Structure Drawing



● Standard Single Product Packaging

- 1 x Mechanical Lock
- 1 x Key Core + 4 Keys
- 2 x Stainless Steel Dust Covers
- 2 x Embedded Hook Boxes
- 4 x Expansion Bolts
- 4 x Carriage Bolts + 4 Hex Nuts
- 1 x Door Nameplate
- 1 x Power-off Control System (w/1 x Remote Controller)
- 1 x Power Cord (w/2 x spare terminals)
- 1 x Alarm Device

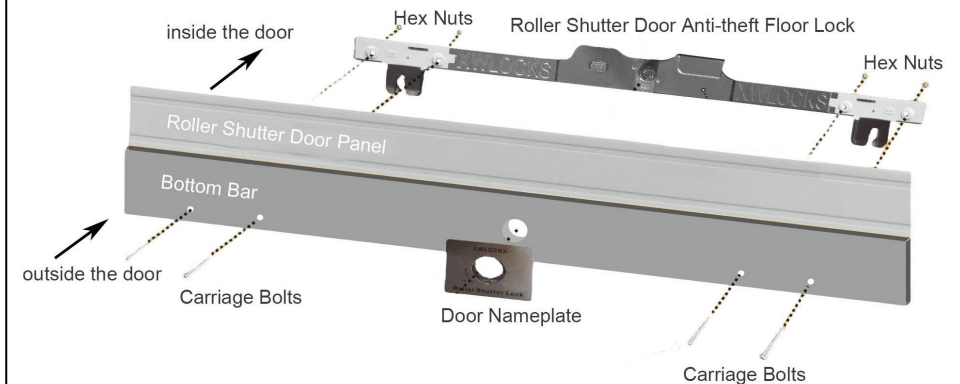
LOCK BODY SPECIFICATION



Size Code	Lock Body Length	Recommended Application	Model No.
Size 1	1650mm	Door width 2-5 m	5585+
			5586+
Size 2	984mm	Door width 2-4 m	5583
			5584
Size 3	695mm	Door width 1-2 m	5585
			5586

Note: For gates over 5 m wide with a single motor, it is recommended to install 2-3pcs locks of Size 2.

Installation Diagram



● Installation Steps:

1. Position Marking

- Refer to the locating holes on the packaging box and mark 5 positions on the lower end of the door where drilling is required.

2. Drilling

- Drill 5 holes at the marked positions:
 - * Lock Cylinder Hole: Use a 32mm diameter stainless steel hole saw
 - * Carriage Bolt Holes(4 holes): Use an 8.2mm diameter drill bit

3. Nameplate Installation

- Fix the nameplate on the bottom of the door from the outside (front side).

4. Lock Assembly

- Insert the lock cylinder into the hole from the front side of the door.
- Secure the lock body against the bottom beam of the door using carriage bolts.

5. Embedded Hook Assembly Installation

A. Lock Hook Fixing

- * Lower the roller shutter door to the ground and position the lock hook.
- * Secure the position of the lock hook.
- * **Note:** If the roller shutter door swings excessively from side to side, install limiters on one or both sides of the door.

B. Stainless Steel Dust Cover Installation

- * Invert the stainless steel dust cover and attach it to the ground, ensuring it is vertically aligned with the lock hook.
- * Using the inner frame of the stainless steel dust cover as a reference, mark the position on the floor.
- * Cut a groove at the marked position on the ground with the following dimensions: 95mm (length) × 50mm (width) × 70mm (depth).
- * At the bottom of the groove, drill 45° angled round holes with a diameter of 10mm and a depth of 100mm on the two opposite sides for installing expansion bolts.
- * Assemble the stainless steel dust cover and the embedded hook box, then place them into the groove. Make sure the lock catch of the embedded hook box aligns with the lock hook of the roller shutter door.

C. Important Notes:

- * The stainless steel dust cover opens towards the inside of the door.
- * When installing the embedded hook box, pay attention to distinguishing left and right, and ensure the larger side of the embedded hook box faces the middle of the door.

D. Expansion Bolts Installation and Securing

- * Fully insert expansion bolts into the two embedded hook assemblies at a 45° angles. Drive the bolts until sleeves expand and lock firmly. If the embedded hook assembly becomes loose, pour cement or fillers around the embedded hook box.

6. Function Testing

- After installation, test the function of the security roller shutter door lock. Ensure the lock engages/disengages smoothly and the door operates without obstruction.

7. **Note:** If the roller shutter door use a T-type bottom bar, cut NOTCHES



as per the marked positions in the diagram right:

